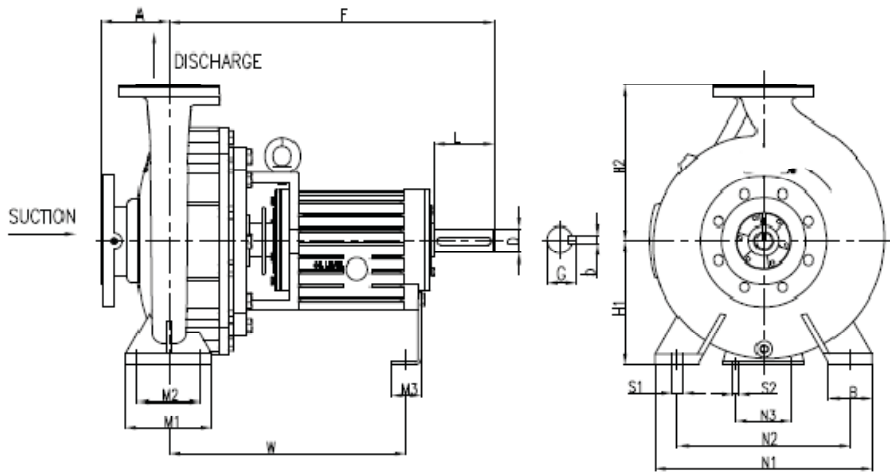


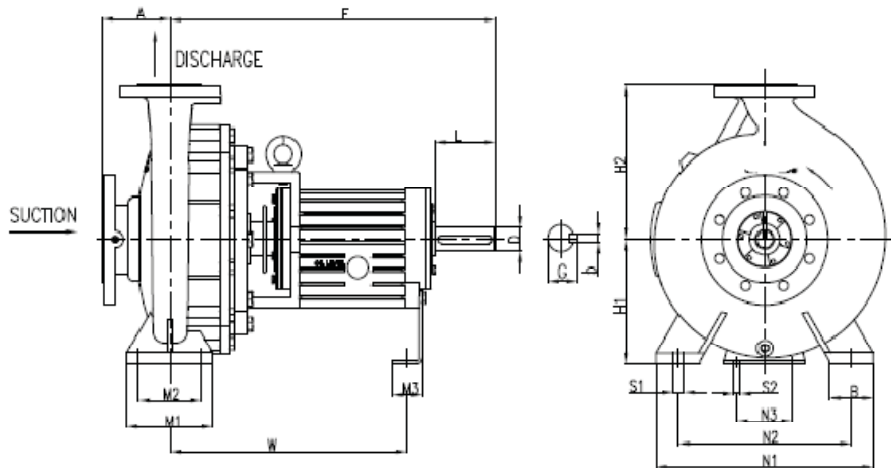
SE BARE PUMP DIMENSIONS

泵头安装尺寸



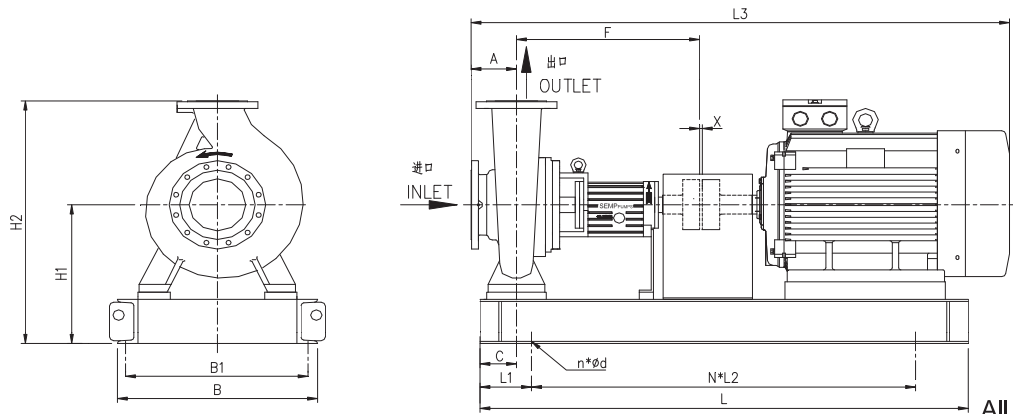
泵型号 Pump Size	进口 Suc	出口 Dis	悬架 Frame Size	泵尺寸 Pump Dimensions				支撑尺寸 Mounting Dimensions									轴头 Shaft				重量 Weight (kg)	
				A	F	H1	H2	B	M1	M2	M3	N1	N2	N3	W	ΦS1	ΦS2	ΦD	L	b		G
50-32-125	50	32	S	80	385	112	140	50	100	70	54	190	140	110	285	14.5	14.5	24	50	8	27.3	58
65-50-125	65	50	S	80	385	112	140	50	100	70	54	210	160	110	285	14.5	14.5	24	50	8	27.3	61
80-65-125	80	65	S	100	385	132	175	50	100	70	54	265	212	110	285	14.5	14.5	24	50	8	27.3	73
100-80-125	100	80	S	100	385	160	190	65	125	95	54	280	212	110	285	14.5	14.5	24	50	8	27.3	78
50-32-160	50	32	S	80	385	132	160	50	100	70	54	240	190	110	285	14.5	14.5	24	50	8	27.3	62
65-50-160	65	50	S	80	385	132	160	50	100	70	54	240	190	110	285	14.5	14.5	24	50	8	27.3	65
80-65-160	80	65	S	100	385	160	180	50	100	70	54	265	212	110	285	14.5	14.5	24	50	8	27.3	80
100-80-160	100	80	M	100	500	160	205	65	125	95	54	280	212	110	370	14.5	14.5	32	80	10	35.3	112
125-80-160	100	80	M	125	500	180	225	65	125	95	54	320	250	110	370	14.5	14.5	32	80	10	35.3	125
125-100-160	100	80	M	125	500	200	280	80	160	120	54	360	280	110	370	14.5	14.5	32	80	10	35.3	130
50-32-200	50	32	S	80	385	160	180	50	100	70	54	240	190	110	285	14.5	14.5	24	50	8	27.3	69
65-40-200	65	40	S	100	385	160	180	50	100	70	54	265	212	110	285	14.5	14.5	24	50	8	27.3	78
80-50-200	80	50	S	100	385	160	200	50	100	70	54	265	212	110	285	14.5	14.5	24	50	8	27.3	83
100-65-200	100	65	M	100	500	180	225	65	125	95	54	320	250	110	370	14.5	14.5	32	80	10	35.3	123
125-80-200	125	80	M	125	500	180	250	65	125	95	54	345	280	110	370	14.5	14.5	32	80	10	35.3	134
125-100-200	125	100	M	125	500	200	280	80	160	120	54	360	280	110	370	18.5	14.5	32	80	10	35.3	145
150-125-200-4P	150	125	M	140	500	250	355	80	160	120	54	360	280	110	370	18.5	14.5	32	80	10	35.3	218
150-125-200-2P	150	125	L	140	530	250	355	80	160	120	54	360	280	110	370	18.5	14.5	42	110	12	45.3	238
200-150-200-4P	200	150	M	160	500	280	400	100	200	150	54	360	280	110	370	18.5	14.5	32	80	10	35.3	235
200-150-200-2P	200	150	L	160	530	280	400	100	200	150	54	360	280	110	370	18.5	14.5	42	110	12	45.3	255
50-32-250	50	32	M	100	500	180	225	65	125	95	54	320	250	110	370	14.5	14.5	32	80	10	35.3	111
65-40-250	65	40	M	100	500	180	225	65	125	95	54	320	250	110	370	14.5	14.5	32	80	10	35.3	124
80-50-250	80	50	M	125	500	180	245	65	125	95	54	320	250	110	370	14.5	14.5	32	80	10	35.3	124
100-65-250	100	65	M	125	500	200	250	80	160	120	54	360	280	110	370	18.5	14.5	32	80	10	35.3	139
125-80-250	125	80	M	125	500	225	280	80	160	120	54	400	315	110	370	18.5	14.5	32	80	10	35.3	156
125-100-250	125	100	L	140	530	225	280	80	160	120	54	400	315	110	370	18.5	14.5	42	110	12	45.3	211
150-125-250	150	125	L	140	530	250	355	80	160	120	54	400	315	110	370	18.5	14.5	42	110	12	45.3	241
200-150-250	200	150	L	160	530	280	375	100	200	150	54	500	400	110	370	24	14.5	42	110	12	45.3	291
200-200-250	200	200	XL	180	625	315	450	100	200	150	54	550	400	140	455	24	14.5	48	110	14	51.8	314

SE BARE PUMP DIMENSIONS
泵头安装尺寸



泵型号 PumpSize	进口 Suc	出口 Dis	悬架 Frame Size	泵尺寸 Pump Dimensions				支撑尺寸 Mounting Dimensions										轴头 Shaft				重量 Weight (kg)
				A	F	H1	H2	B	M1	M2	M3	N1	N2	N3	W	ΦS1	ΦS2	ΦD	L	b	G	
65-40-315	65	40	M	125	500	200	250	65	125	95	54	345	300	110	370	14.5	14.5	32	80	10	35.3	156
80-50-315	80	50	M	125	500	225	280	65	125	95	54	345	280	110	370	14.5	14.5	32	80	10	35.3	162
100-65-315-4P	100	65	L	125	530	225	280	80	160	120	54	400	315	110	370	18.5	14.5	42	110	12	45.3	220
100-65-315-2P	100	65	XL	125	600	225	280	80	160	120	54	400	315	110	440	18.5	14.5	42	110	12	45.3	240
125-80-315-4P	125	80	L	125	530	250	315	80	160	120	54	400	315	110	370	18.5	14.5	42	110	12	45.3	226
125-80-315-2P	125	80	XL	125	600	250	315	80	160	120	54	400	315	110	440	18.5	14.5	42	110	12	45.3	265
125-100-315-4P	125	100	L	140	530	250	315	80	160	120	54	400	315	110	370	18.5	14.5	42	110	12	45.3	249
125-100-315-2P	125	100	XL	140	600	250	315	80	160	120	54	400	315	110	440	18.5	14.5	42	110	12	45.3	269
150-125-315-4P	150	125	L	140	530	280	355	100	200	150	54	500	400	110	370	24	14.5	42	110	12	45.3	305
150-125-315-2P	150	125	XXL	140	685	280	355	100	200	150	54	500	400	110	485	24	14.5	60	140	18	64.4	375
200-150-315	200	150	XL	160	625	315	400	100	200	150	54	550	450	110	455	24	14.5	48	110	14	51.8	316
250-200-315	250	200	XL	200	625	355	450	100	200	150	54	550	450	140	455	24	14.5	48	110	14	51.8	390
300-250-315	300	250	XL	205	625	400	500	125	290	200	54	600	500	140	455	27	14.5	48	110	14	51.8	488
350-300-315	350	300	XXL	250	710	400	600	120	240	180	54	680	580	140	510	27	14.5	60	140	20	64.4	597
125-80-400-4P	125	80	L	125	530	280	355	80	160	120	54	435	355	110	370	18.5	14.5	42	110	12	45.3	288
125-80-400-2P	125	80	XXL	125	685	280	355	80	160	120	54	435	355	110	485	18.5	14.5	60	140	18	64.4	348
125-100-400-4P	125	100	L	140	530	280	375	100	200	150	54	500	400	110	370	24	14.5	42	110	12	45.3	306
125-100-400-2P	125	100	XXL	140	685	280	375	100	200	150	54	500	400	110	485	24	14.5	60	140	18	64.4	448
150-125-400	150	125	L	140	530	315	400	100	200	150	54	500	400	110	370	24	14.5	42	110	12	45.3	303
200-150-400	200	150	XL	160	625	315	450	100	200	150	54	550	450	140	455	24	14.5	48	110	14	51.8	375
250-200-400	250	200	XL	180	625	355	500	100	200	150	54	550	450	140	455	24	14.5	48	110	14	51.8	457
300-250-400	300	250	XXL	205	710	400	520	125	290	200	54	600	500	140	510	27	14.5	60	140	18	64.4	578
350-300-400	350	300	XXL	240	710	450	650	140	300	200	54	700	600	140	510	27	14.5	60	140	18	64.4	650
125-100-500	125	100	XL	160	625	355	450	100	200	150	54	550	450	110	455	24	14.5	48	110	14	51.8	350
150-125-500	150	125	XL	160	625	355	450	100	200	150	54	550	450	140	455	24	14.5	48	110	14	51.8	372
200-150-500	200	150	XL	180	625	375	500	100	200	150	54	550	450	140	455	24	14.5	48	110	14	51.8	471
250-200-500	250	200	XXL	200	710	400	550	100	200	150	54	650	550	140	510	27	14.5	60	140	18	64.4	572
300-250-500	300	250	XXXL	200	710	425	620	120	240	180	54	700	600	140	510	27	14.5	75	140	20	79.9	725
350-300-500	350	300	XXX	50	710	450	700	140	300	200	54	850	750	140	510	27	14.5	75	140	20	79.9	813

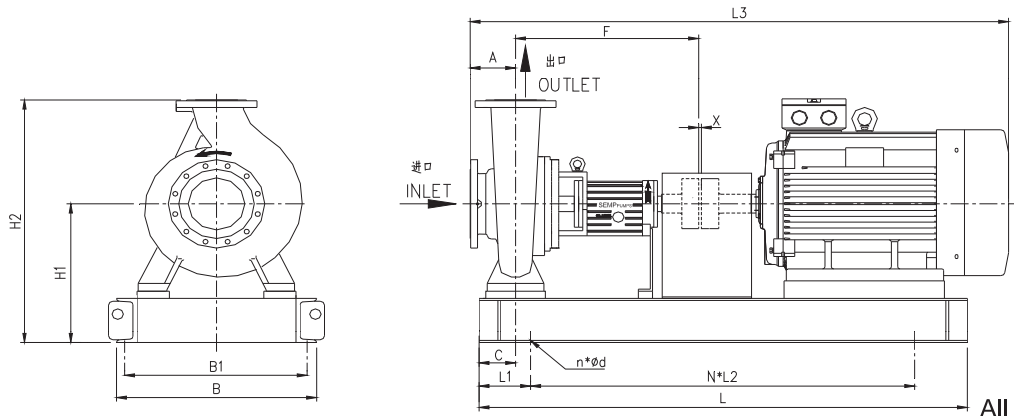
SE END SUCTION PUMPS OUTLINE DIMENSIONS



All dimensions in mm.

PUMP SIZE	MOTOR SIZE	A	F	X	H1	H2	C	L1	N×L2	L	L3	B1	B	n-Ød	Wt. (kg)
50-32-125	112M-2/4KW	80	385	3	242	382	70	100	1x590	790	869	310	350	4-Φ15	130
	100L-2/3KW	80	385	3	242	382	70	100	1x580	780	855	310	350	4-Φ15	122
	90L-2/2.2KW	80	385	3	242	382	70	100	1x550	750	810	310	350	4-Φ15	114
	90S-2/1.5KW	80	385	3	242	382	70	100	1x550	750	785	310	350	4-Φ15	111
	802-4/0.75KW	80	385	3	242	382	70	100	1x500	700	765	310	350	4-Φ15	100
	801-4/0.55KW	80	385	3	242	382	70	100	1x500	700	765	310	350	4-Φ15	99
	712-4/0.37KW	80	385	3	242	382	70	100	1x475	675	720	310	350	4-Φ15	98
65-50-125	112M-2/4KW	80	385	3	242	382	70	100	1x590	790	870	310	350	4-Φ15	137
	100L-2/3KW	80	385	3	242	382	70	100	1x580	780	855	310	350	4-Φ15	129
	90L-2/2.2KW	80	385	3	242	382	70	100	1x550	750	810	310	350	4-Φ15	115
	90S-4/1.1KW	80	385	3	242	382	70	100	1x550	750	785	310	350	4-Φ15	112
	802-4/0.75KW	80	385	3	242	382	70	100	1x500	700	765	310	350	4-Φ15	105
	801-4/0.55KW	80	385	3	242	382	70	100	1x500	700	765	310	350	4-Φ15	104
	712-4/0.37KW	80	385	3	242	382	70	100	1x475	675	720	310	350	4-Φ15	103
80-65-125	132S2-2/7.5KW	100	385	3	242	417	70	100	1x640	840	961	350	390	4-Φ15	174
	132S1-2/5.5KW	100	385	3	242	417	70	100	1x640	840	961	350	390	4-Φ15	171
	112M-2/4KW	100	385	3	242	417	70	100	1x590	790	890	310	350	4-Φ15	139
	90L-4/1.5KW	100	385	3	242	417	70	100	1x550	750	805	310	350	4-Φ15	119
	90S-4/1.1KW	100	385	3	242	417	70	100	1x550	750	805	310	350	4-Φ15	113
	802-4/0.75KW	100	385	3	242	417	70	100	1x500	700	785	310	350	4-Φ15	113
	160M1-2/11KW	100	385	3	270	460	70	100	1x800	1000	1106	400	440	4-Φ15	226
100-80-125	132S2-2/7.5KW	100	385	3	270	460	70	100	1x640	840	961	350	390	4-Φ15	178
	100L1-4/2.2KW	100	385	3	270	460	70	100	1x580	780	875	310	350	4-Φ15	138
	90L-4/1.5KW	100	385	3	270	460	70	100	1x550	750	830	310	350	4-Φ15	125
	90S-4/1.1KW	100	385	3	270	460	70	100	1x550	750	805	310	350	4-Φ15	125
	132S1-2/5.5KW	80	385	3	242	402	70	100	1x640	840	941	350	390	4-Φ15	161
	112M-2/4KW	80	385	3	242	402	70	100	1x590	790	870	310	350	4-Φ15	134
	100L-2/3KW	80	385	3	242	402	70	100	1x580	780	855	310	350	4-Φ15	126
50-32-160	90L-2/2.2KW	80	385	3	242	402	70	100	1x550	750	810	310	350	4-Φ15	118
	90S-2/1.5KW	80	385	3	242	402	70	100	1x550	750	785	310	350	4-Φ15	115
	90S-4/1.1KW	80	385	3	242	402	70	100	1x550	750	785	310	350	4-Φ15	109
	802-4/0.75KW	80	385	3	242	402	70	100	1x500	700	765	310	350	4-Φ15	108
	801-4/0.55KW	80	385	3	242	402	70	100	1x500	700	765	310	350	4-Φ15	107
	160M1-2/11KW	80	385	3	270	430	70	100	1x800	1000	1086	400	440	4-Φ15	217
	132S2-2/7.5KW	80	385	3	242	402	70	100	1x640	840	941	350	390	4-Φ15	169
	132S1-2/5.5KW	80	385	3	242	402	70	100	1x640	840	941	350	390	4-Φ15	166
65-50-160	112M-2/4KW	80	385	3	242	402	70	100	1x590	790	870	310	350	4-Φ15	136
	100L-2/3KW	80	385	3	242	402	70	100	1x580	780	855	310	350	4-Φ15	130
	100L1-4/2.2KW	80	385	3	242	402	70	100	1x580	780	855	310	350	4-Φ15	130
	90L-4/1.5KW	80	385	3	242	402	70	100	1x550	750	810	310	350	4-Φ15	117
	90S-4/1.1KW	80	385	3	242	402	70	100	1x550	750	785	310	350	4-Φ15	114
	802-4/0.75KW	80	385	3	242	402	70	100	1x500	700	765	310	350	4-Φ15	106

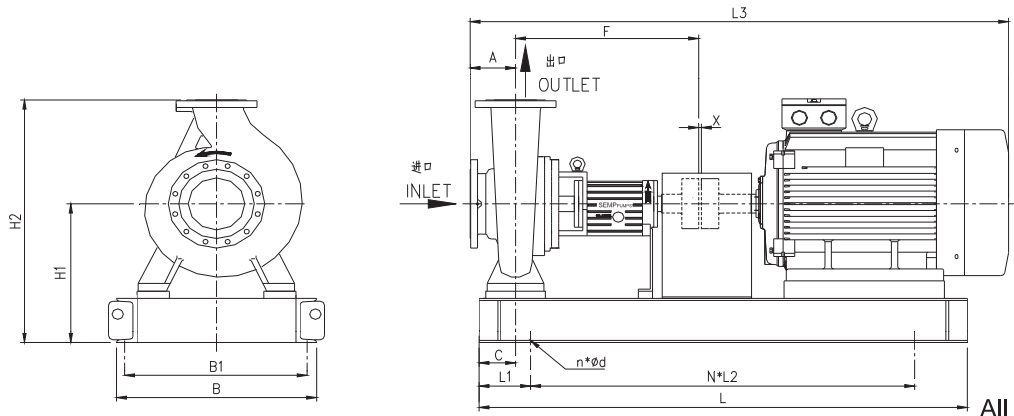
SE END SUCTION PUMPS OUTLINE DIMENSIONS



All dimensions in mm.

PUMP SIZE	MOTOR SIZE	A	F	X	H1	H2	C	L1	N x L2	L	L3	B1	B	n-Ød	Wt. (kg)
80-65-160	160M2-2/15KW	100	385	3	270	450	70	100	1x800	1000	1106	400	440	4-Ø15	238
	160M1-2/11KW	100	385	3	270	450	70	100	1x800	1000	1106	400	440	4-Ø15	227
	132S2-2/7.5KW	100	385	3	270	450	70	100	1x640	840	961	350	390	4-Ø15	179
	132S1-2/5.5KW	100	385	3	270	450	70	100	1x640	840	961	350	390	4-Ø15	176
	112M-2/4KW	100	385	3	270	450	70	100	1x590	790	890	335	375	4-Ø15	148
	100L1-4/2.2KW	100	385	3	270	450	70	100	1x580	780	875	310	350	4-Ø15	142
	90L-4/1.5KW	100	385	3	270	450	70	100	1x550	750	830	310	350	4-Ø15	127
	90S-4/1.1KW	100	385	3	270	450	70	100	1x550	750	805	310	350	4-Ø15	122
	100-80-160	180M-2/22KW	100	500	3	355	560	85	150	1x840	1140	1336	435	485	4-Ø19
160L-2/18.5KW		100	500	3	335	540	85	150	1x830	1130	1276	400	460	4-Ø19	313
160M2-2/15KW		100	500	3	335	540	85	150	1x830	1130	1221	400	460	4-Ø19	295
160M1-2/11KW		100	500	3	335	540	85	150	1x830	1130	1221	400	460	4-Ø19	284
132S2-2/7.5KW		100	500	3	315	520	85	150	1x740	1040	1076	360	410	4-Ø19	234
132S-4/5.5KW		100	500	3	315	520	85	150	1x740	1040	1076	360	410	4-Ø19	231
112M-4/4KW		100	500	3	315	520	85	150	1x620	920	1005	360	410	4-Ø19	216
100L2-4/3KW		100	500	3	335	540	85	150	1x610	910	990	360	410	4-Ø19	206
100L1-4/2.2KW		100	500	3	335	540	85	150	1x610	910	990	360	410	4-Ø19	205
125-80-160	180M-2/22KW	125	500	3	375	600	85	150	1x865	1165	1361	435	485	4-Ø19	376
	160L-2/18.5KW	125	500	3	355	580	85	150	1x855	1155	1301	400	460	4-Ø19	324
	160M2-2/15KW	125	500	3	355	580	85	150	1x855	1155	1246	400	460	4-Ø19	306
	160M1-2/11KW	125	500	3	355	580	85	150	1x855	1155	1246	400	460	4-Ø19	295
	132S2-2/7.5KW	125	500	3	335	560	85	150	1x765	1065	1101	360	410	4-Ø19	245
	132S-4/5.5KW	125	500	3	335	560	85	150	1x765	1065	1101	360	410	4-Ø19	242
	112M-4/4KW	125	500	3	335	560	85	150	1x645	945	1030	360	410	4-Ø19	227
	100L2-4/3KW	125	500	3	355	580	85	150	1x635	935	1015	360	410	4-Ø19	217
	100L1-4/2.2KW	125	500	3	355	580	85	150	1x635	935	1015	360	410	4-Ø19	216
125-100-160	200L2-2/37KW	125	500	3	375	655	85	150	1x910	1210	1402	475	525	4-Ø19	477
	200L1-2/30KW	125	500	3	375	655	85	150	1x910	1210	1402	475	525	4-Ø19	457
	180M-2/22KW	125	500	3	355	635	85	150	1x840	1140	1361	435	485	4-Ø19	384
	160L-2/18.5KW	125	500	3	355	635	85	150	1x830	1130	1301	400	460	4-Ø19	347
	160M2-2/15KW	125	500	3	355	635	85	150	1x830	1130	1246	400	460	4-Ø19	329
	132M-4/7.5KW	125	500	3	355	635	85	150	1x740	1040	1141	400	450	4-Ø19	278
	132S-4/5.5KW	125	500	3	355	635	85	150	1x740	1040	1101	400	450	4-Ø19	266
	112M-4/4KW	125	500	3	355	635	85	150	1x620	920	1030	400	450	4-Ø19	237
	100L2-4/3KW	125	500	3	355	635	85	150	1x610	910	1015	400	450	4-Ø19	221
50-32-200	160M1-2/11KW	80	385	3	270	450	70	100	1x800	1000	1086	400	440	4-Ø15	220
	132S2-2/7.5KW	80	385	3	270	450	70	100	1x640	840	941	350	390	4-Ø15	172
	132S1-2/5.5KW	80	385	3	270	450	70	100	1x640	840	941	350	390	4-Ø15	169
	112M-2/4KW	80	385	3	270	450	70	100	1x590	790	870	310	350	4-Ø15	138
	100L-2/3KW	80	385	3	270	450	70	100	1x580	780	855	310	350	4-Ø15	131
	100L1-4/2.2KW	80	385	3	270	450	70	100	1x580	780	855	310	350	4-Ø15	130
	90L-4/1.5KW	80	385	3	270	450	70	100	1x550	750	810	310	350	4-Ø15	116
	90S-4/1.1KW	80	385	3	270	450	70	100	1x550	750	785	310	350	4-Ø15	116
	802-4/0.75KW	80	385	3	270	450	70	100	1x500	700	765	310	350	4-Ø15	110

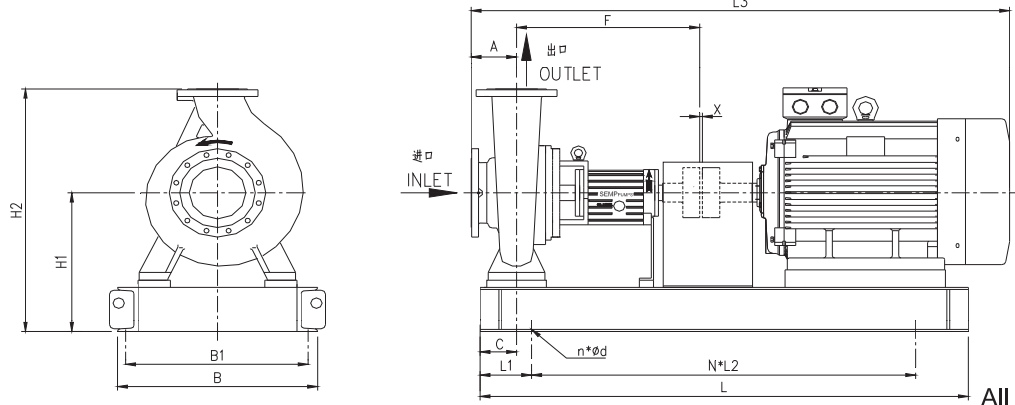
SE END SUCTION PUMPS OUTLINE DIMENSIONS



All dimensions in mm.

PUMP SIZE	MOTOR SIZE	A	F	X	H1	H2	C	L1	N*L2	L	L3	B1	B	n-Ød	Wt. (kg)
65-40-200	160L-2/18.5KW	100	385	3	270	450	70	100	1x800	1000	1161	400	440	4-Ø15	257
	160M2-2/15KW	100	385	3	270	450	70	100	1x800	1000	1106	400	440	4-Ø15	239
	160M1-2/11KW	100	385	3	270	450	70	100	1x800	1000	1106	400	440	4-Ø15	228
	132S2-2/7.5KW	100	385	3	270	450	70	100	1x640	840	961	350	390	4-Ø15	178
	132S1-2/5.5KW	100	385	3	270	450	70	100	1x640	840	961	350	390	4-Ø15	175
	112M-2/4KW	100	385	3	270	450	70	100	1x590	790	891	310	350	4-Ø15	154
	100L2-4/3KW	100	385	3	270	450	70	100	1x580	780	875	310	350	4-Ø15	142
	100L1-4/2.2KW	100	385	3	270	450	70	100	1x580	780	875	310	350	4-Ø15	141
	90L-4/1.5KW	100	385	3	270	450	70	100	1x550	750	830	310	350	4-Ø15	126
	90S-4/1.1KW	100	385	3	270	450	70	100	1x550	750	805	310	350	4-Ø15	121
80-50-200	200L1-2/30KW	100	385	3	310	510	70	100	1x910	1110	1262	505	545	4-Ø15	380
	180M-2/22KW	100	385	3	290	490	70	100	1x800	1000	1221	425	465	4-Ø15	295
	160L-2/18.5KW	100	385	3	270	470	70	100	1x800	1000	1161	400	440	4-Ø15	258
	160M2-2/15KW	100	385	3	270	470	70	100	1x800	1000	1106	400	440	4-Ø15	240
	160M1-2/11KW	100	385	3	270	470	70	100	1x800	1000	1106	400	440	4-Ø15	230
	132S2-2/7.5KW	100	385	3	270	470	70	100	1x640	840	961	350	390	4-Ø15	180
	132S-4/5.5KW	100	385	3	270	470	70	100	1x640	840	961	350	390	4-Ø15	177
	112M-4/4KW	100	385	3	270	470	70	100	1x590	790	890	310	350	4-Ø15	162
	100L2-4/3KW	100	385	3	270	470	70	100	1x580	780	875	310	350	4-Ø15	153
	100L1-4/2.2KW	100	385	3	270	470	70	100	1x580	780	875	310	350	4-Ø15	152
100-65-200	225M-2/45KW	100	500	3	380	605	85	150	1x940	1240	1427	515	565	4-Ø19	529
	200L2-2/37KW	100	500	3	355	580	85	150	1x910	1210	1377	475	525	4-Ø19	467
	200L1-2/30KW	100	500	3	355	580	85	150	1x910	1210	1377	475	525	4-Ø19	447
	180M-2/22KW	100	500	3	335	560	85	150	1x840	1140	1336	435	485	4-Ø19	382
	160L-2/18.5KW	100	500	3	335	560	85	150	1x830	1130	1276	400	460	4-Ø19	324
	160M2-2/15KW	100	500	3	335	560	85	150	1x830	1130	1221	400	460	4-Ø19	306
	160M-4/11KW	100	500	3	335	560	85	150	1x740	1130	1221	400	460	4-Ø19	302
	132M-4/7.5KW	100	500	3	335	560	85	150	1x740	1040	1116	400	450	4-Ø19	260
	132S-4/5.5KW	100	500	3	335	560	85	150	1x740	1040	1076	400	450	4-Ø19	247
	112M-4/4KW	100	500	3	335	560	85	150	1x620	920	1005	400	450	4-Ø19	221
	100L2-4/3KW	100	500	3	335	560	85	150	1x610	910	990	400	450	4-Ø19	211
	125-80-200	225M-2/45KW	125	500	3	380	630	85	150	1x940	1240	1452	515	565	4-Ø19
200L2-2/37KW		125	500	3	355	605	85	150	1x910	1210	1402	475	525	4-Ø19	477
200L1-2/30KW		125	500	3	355	605	85	150	1x910	1210	1402	475	525	4-Ø19	457
180M-2/22KW		125	500	3	335	585	85	150	1x840	1140	1361	435	485	4-Ø19	384
160L-2/18.5KW		125	500	3	335	585	85	150	1x830	1130	1301	400	460	4-Ø19	347
160M2-2/15KW		125	500	3	335	585	85	150	1x830	1130	1246	400	460	4-Ø19	329
132M-4/7.5KW		125	500	3	335	585	85	150	1x740	1040	1141	400	450	4-Ø19	278
132S-4/5.5KW		125	500	3	335	585	85	150	1x740	1040	1101	400	450	4-Ø19	266
112M-4/4KW		125	500	3	335	585	85	150	1x620	920	1030	400	450	4-Ø19	237
100L2-4/3KW		125	500	3	335	585	85	150	1x610	910	1015	400	450	4-Ø19	221

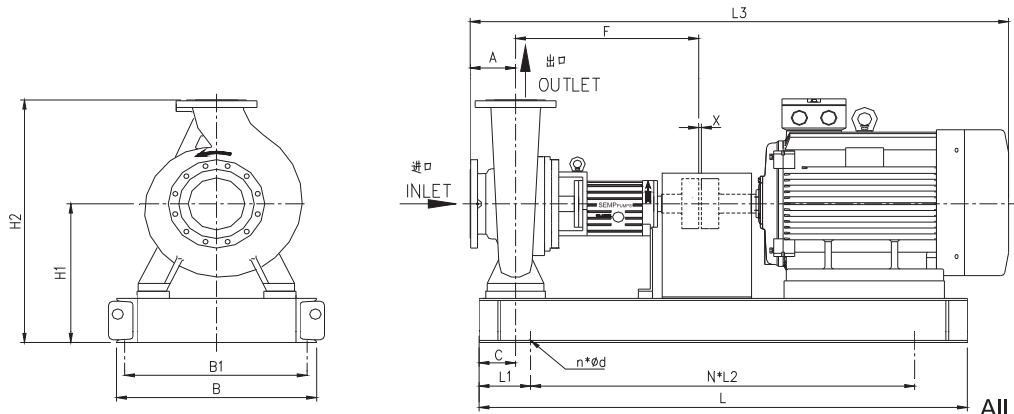
SE END SUCTION PUMPS OUTLINE DIMENSIONS



All dimensions in mm.

PUMP SIZE	MOTOR SIZE	A	F	X	H1	H2	C	L1	N×L2	L	L3	B1	B	n-Ød	Wt. (kg)
125-100-200	280S-2/75KW	125	500	3	435	715	85	150	2x565	1430	1617	635	685	6-Ø19	784
	250M-2/55KW	125	500	3	405	685	85	150	2x525	1340	1542	570	620	6-Ø19	647
	225M-2/45KW	125	500	3	380	660	85	150	1x940	1240	1452	515	565	4-Ø19	543
	200L2-2/37KW	125	500	3	355	635	85	150	1x910	1210	1402	475	525	4-Ø19	482
	200L1-2/30KW	125	500	3	355	635	85	150	1x910	1210	1402	475	525	4-Ø19	462
	180M-2/22KW	125	500	3	355	635	85	150	1x840	1140	1332	435	485	4-Ø19	408
	160M-4/11KW	125	500	3	355	635	85	150	1x830	1130	1246	400	460	4-Ø19	330
	132M-4/7.5KW	125	500	3	355	635	85	150	1x740	1040	1141	400	450	4-Ø19	274
	132S-4/5.5KW	125	500	3	355	635	85	150	1x740	1040	1101	400	450	4-Ø19	262
	112M-4/4KW	125	500	3	355	635	85	150	1x620	920	1030	400	450	4-Ø19	244
	150-125-200	160L-4/15KW	140	500	3	405	760	100	150	1x850	1150	1266	400	460	4-Ø19
160M-4/11KW		140	500	3	405	760	100	150	1x850	1150	1266	400	460	4-Ø19	380
200-150-200	160L-4/15KW	160	500	3	435	835	120	150	1x880	1180	1290	400	460	4-Ø19	420
	160M-4/11KW	160	500	3	435	835	120	150	1x880	1180	1290	400	460	4-Ø19	410
50-32-250	160L-2/18.5KW	100	500	3	335	560	85	150	1x830	1130	1276	400	460	4-Ø19	312
	160M2-2/15KW	100	500	3	335	560	85	150	1x830	1130	1221	400	460	4-Ø19	294
	160M1-2/11KW	100	500	3	335	560	85	150	1x830	1130	1221	400	460	4-Ø19	284
	132S2-2/7.5KW	100	500	3	335	560	85	150	1x740	1040	1076	400	450	4-Ø19	232
	132S-4/5.5KW	100	500	3	335	560	85	150	1x740	1040	1076	400	450	4-Ø19	229
	112M-4/4KW	100	500	3	335	560	85	150	1x740	910	1005	400	450	4-Ø19	205
	100L2-4/3KW	100	500	3	335	560	85	150	1x610	910	990	400	450	4-Ø19	195
	100L1-4/2.2KW	100	500	3	335	560	85	150	1x610	910	990	400	450	4-Ø19	194
	90L-4/1.5KW	100	500	3	335	560	85	150	1x580	880	945	400	450	4-Ø19	182
65-40-250	225M-2/45KW	100	500	3	380	605	85	150	1x940	1240	1427	515	565	4-Ø19	524
	200L2-2/37KW	100	500	3	355	580	85	150	1x910	1210	1377	475	525	4-Ø19	463
	200L1-2/30KW	100	500	3	355	580	85	150	1x910	1210	1377	475	525	4-Ø19	443
	180M-2/22KW	100	500	3	335	560	85	150	1x840	1140	1336	435	485	4-Ø19	361
	160L-2/18.5KW	100	500	3	335	560	85	150	1x830	1130	1276	400	460	4-Ø19	324
	160M2-2/15KW	100	500	3	335	560	85	150	1x830	1130	1221	400	460	4-Ø19	306
	160M1-2/11KW	100	500	3	335	560	85	150	1x830	1130	1221	400	460	4-Ø19	296
	132S2-2/7.5KW	100	500	3	335	560	85	150	1x740	1040	1076	400	450	4-Ø19	249
	100L2-4/3KW	100	500	3	335	560	85	150	1x610	910	990	400	450	4-Ø19	203
	100L1-4/2.2KW	100	500	3	335	560	85	150	1x610	910	990	400	450	4-Ø19	202
	90L-4/1.5KW	100	500	3	335	560	85	150	1x580	880	945	400	450	4-Ø19	189
80-50-250	200L2-2/37KW	125	500	3	355	600	85	150	1x910	1210	1402	475	525	4-Ø19	476
	200L1-2/30KW	125	500	3	355	600	85	150	1x910	1210	1402	475	525	4-Ø19	456
	180M-2/22KW	125	500	3	335	580	85	150	1x840	1140	1361	435	485	4-Ø19	375
	160L-2/18.5KW	125	500	3	335	580	85	150	1x830	1130	1301	400	460	4-Ø19	338
	160M2-2/15KW	125	500	3	335	580	85	150	1x830	1130	1246	400	460	4-Ø19	320
	160M-4/11KW	125	500	3	335	580	85	150	1x830	1130	1246	410	460	4-Ø19	316
	132M-4/7.5KW	125	500	3	335	580	85	150	1x740	1040	1141	400	450	4-Ø19	261
	132S-4/5.5KW	125	500	3	335	580	85	150	1x740	1040	1101	400	450	4-Ø19	248
	112M-4/4KW	125	500	3	335	580	85	150	1x620	920	1030	400	450	4-Ø19	223
	100L2-4/3KW	125	500	3	335	580	85	150	1x610	910	1015	400	450	4-Ø19	213
	100L1-4/2.2K	25	500	3	335	580	85	150	1x610	910	1015	400	450	4-Ø19	212

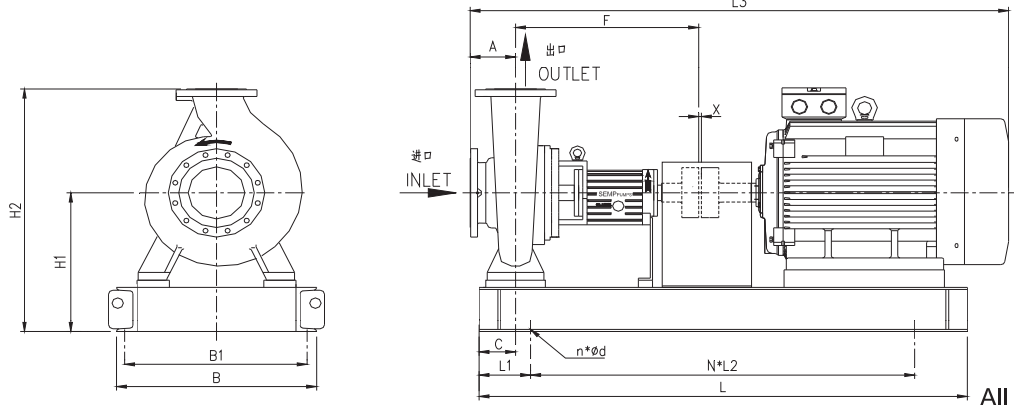
SE END SUCTION PUMPS OUTLINE DIMENSIONS



All dimensions in mm.

PUMP SIZE	MOTOR SIZE	A	F	X	H1	H2	C	L1	N×L2	L	L3	B1	B	n-Φd	Wt. (kg)
100-65-250	280S-2/75KW	125	500	3	435	685	85	150	2x565	1430	1617	635	685	6-Φ19	783
	250M-2/55KW	125	500	3	405	655	85	150	2x520	1340	1542	570	620	6-Φ19	646
	225M-2/45KW	125	500	3	380	630	85	150	1x940	1240	1452	515	565	6-Φ19	542
	200L2-2/37KW	125	500	3	355	605	85	150	1x910	1210	1402	475	525	6-Φ19	481
	200L1-2/30KW	125	500	3	355	605	85	150	1x910	1210	1402	475	525	6-Φ19	461
	180M-2/22KW	125	500	3	355	605	85	150	1x840	1140	1332	435	485	6-Φ19	407
	160M-4/11KW	125	500	3	355	605	85	150	1x830	1130	1246	400	460	6-Φ19	344
	132M-4/7.5KW	125	500	3	355	605	85	150	1x740	1040	1141	400	450	6-Φ19	283
	132S-4/5.5KW	125	500	3	355	605	85	150	1x740	1040	1101	400	450	6-Φ19	260
125-80-250	280M-2/90KW	125	500	3	435	715	85	150	2x565	1430	1667	635	685	6-Φ19	825
	280S-2/75KW	125	500	3	435	715	85	150	2x565	1430	1617	635	685	6-Φ19	794
	250M-2/55KW	125	500	3	405	685	85	150	2x520	1340	1542	570	620	6-Φ19	657
	225M-2/45KW	125	500	3	380	660	85	150	1x940	1240	1452	515	565	4-Φ19	553
	200L2-2/37KW	125	500	3	380	660	85	150	1x910	1210	1402	475	525	4-Φ19	492
	200L1-2/30KW	125	500	3	380	660	85	150	1x910	1210	1332	475	525	4-Φ19	471
	160L-4/15KW	125	500	3	380	660	85	150	1x830	1130	1301	400	460	4-Φ19	361
	160M-4/11KW	125	500	3	380	660	85	150	1x830	1130	1246	400	460	4-Φ19	340
	132M-4/7.5KW	125	500	3	380	660	85	150	1x740	1040	1141	400	450	4-Φ19	287
132S-4/5.5KW	125	500	3	380	660	85	150	1x740	1040	1101	400	450	4-Φ19	274	
125-100-250	315M-2/132KW	140	530	3	540	820	100	200	2x600	1600	1867	825	885	6-Φ19	1382
	315S-2/110KW	140	530	3	540	820	100	200	2x600	1600	1837	825	885	6-Φ19	1330
	280M-2/90KW	140	530	3	505	785	100	200	2x540	1480	1712	635	695	6-Φ19	912
	280S-2/75KW	140	530	3	505	785	100	200	2x540	1480	1662	635	695	6-Φ19	881
	250M-2/55KW	140	530	3	450	730	100	200	1x980	1380	1587	570	630	6-Φ19	744
	225M-2/45KW	140	530	3	425	705	100	200	1x920	1310	1497	515	575	4-Φ19	656
	180L-4/22KW	140	530	3	450	730	100	200	1x820	1220	1426	480	540	4-Φ19	496
	180M-4/18.5KW	140	530	3	450	730	100	200	1x820	1220	1406	480	540	4-Φ19	481
	160L-4/15KW	140	530	3	450	730	100	200	1x780	1180	1346	480	540	4-Φ19	445
	160M-4/11KW	140	530	3	450	730	100	200	1x780	1180	1291	480	540	4-Φ19	424
	132M-4/7.5KW	140	530	3	450	730	100	200	1x680	1080	1186	480	540	4-Φ19	378
150-125-250	225S-4/37KW	140	530	3	450	805	100	200	1x910	1310	1492	515	575	4-Φ19	672
	200L-4/30KW	140	530	3	450	805	100	200	1x850	1250	1447	480	540	4-Φ19	600
	180L-4/22KW	140	530	3	450	805	100	200	1x820	1220	1426	480	540	4-Φ19	521
	180M-4/18.5KW	140	530	3	450	805	100	200	1x820	1220	1406	480	540	4-Φ19	506
	160L-4/15KW	140	530	3	450	805	100	200	1x780	1180	1346	480	540	4-Φ19	471
160M-4/11KW	140	530	3	450	805	100	200	1x780	1180	1346	480	540	4-Φ19	450	
200-150-250	225M-4/45KW	160	530	3	480	855	100	200	1x910	1310	1542	580	640	4-Φ19	747
	225S-4/37KW	160	530	3	480	855	100	200	1x910	1310	1512	580	640	4-Φ19	710
	200L-4/30KW	160	530	3	480	855	100	200	1x970	1370	1467	630	690	4-Φ19	647
	180L-4/22KW	160	530	3	480	855	100	200	1x820	1220	1446	580	640	4-Φ19	577
200-200-250	225S-4/37KW	180	625	3	515	965	120	200	2x515	1430	1627	630	690	6-Φ24	744
	200L-4/30KW	180	625	3	515	965	120	200	1x970	1370	1582	630	690	4-Φ24	686
	180L-4/22KW	180	625	3	515	965	120	200	1x930	1330	1561	630	690	4-Φ24	614
	180M-4/18.5KW	180	625	3	515	965	120	200	1x930	1330	1541	630	690	4-Φ24	599
	160L-4/15KW	180	625	3	515	965	120	200	1x890	1290	1481	630	690	4-Φ24	550
160M-4/11KW	180	625	3	515	965	120	200	1x890	1290	1426	630	690	4-Φ24	529	

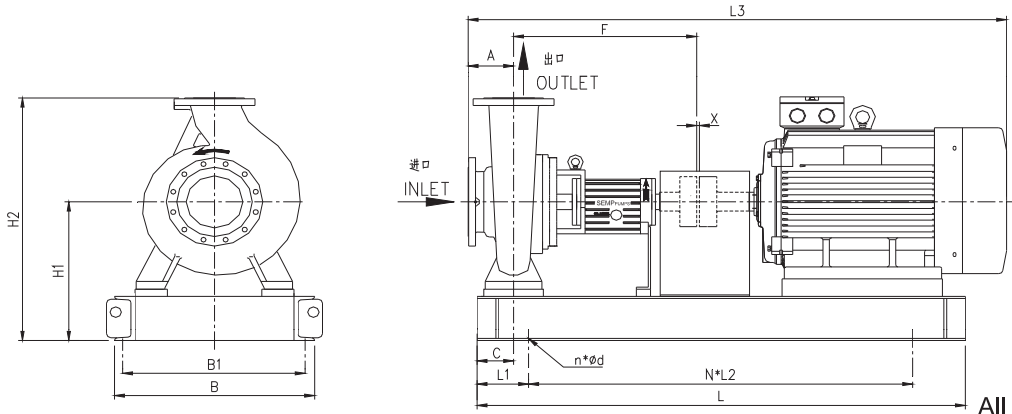
SE END SUCTION PUMPS OUTLINE DIMENSIONS



All dimensions in mm.

PUMP SIZE	MOTOR SIZE	A	F	X	H1	H2	C	L1	N*L2	L	L3	B1	B	n-Ød	Wt. (kg)
65-40-315	225M-2/45KW	125	500	3	380	630	85	150	1x940	1240	1452	515	565	4-Ø19	547
	200L2-2/37KW	125	500	3	355	605	85	150	1x910	1210	1402	475	525	4-Ø19	486
	200L1-2/30KW	125	500	3	355	605	85	150	1x910	1210	1402	475	525	4-Ø19	466
	180M-2/22KW	125	500	3	355	605	85	150	1x840	1140	1361	435	485	4-Ø19	388
	160L-2/18.5KW	125	500	3	355	605	85	150	1x830	1130	1301	400	460	4-Ø19	351
	160M2-2/15KW	125	500	3	355	605	85	150	1x830	1130	1301	400	460	4-Ø19	333
	160M-4/11KW	125	500	3	355	605	85	150	1x830	1130	1246	400	460	4-Ø19	329
	132M-4/7.5KW	125	500	3	355	605	85	150	1x740	1040	1141	400	450	4-Ø19	287
	132S-4/5.5KW	125	500	3	355	605	85	150	1x740	1040	1101	400	450	4-Ø19	274
80-50-315	315S-2/110KW	125	500	3	470	750	85	150	2x600	1500	1792	715	765	6-Ø19	1235
	280M-2/90KW	125	500	3	435	715	85	150	2x565	1430	1667	635	685	6-Ø19	835
	280S-2/75KW	125	500	3	435	715	85	150	2x565	1430	1617	635	685	6-Ø19	804
	250M-2/55KW	125	500	3	405	685	85	150	2x520	1340	1542	570	620	6-Ø19	652
	225M-2/45KW	125	500	3	380	660	85	150	1x940	1240	1452	515	565	4-Ø19	564
	200L2-2/37KW	125	500	3	380	660	85	150	1x910	1210	1402	475	525	4-Ø19	503
	200L1-2/30KW	125	500	3	380	660	85	150	1x910	1210	1402	475	525	4-Ø19	483
	180M-2/22KW	125	500	3	380	660	85	150	1x840	1140	1361	435	485	4-Ø19	430
	160L-2/18.5KW	125	500	3	380	660	85	150	1x830	1130	1301	400	460	4-Ø19	393
	160L-4/15KW	125	500	3	380	660	85	150	1x830	1130	1301	400	460	4-Ø19	356
	160M-4/11KW	125	500	3	380	660	85	150	1x830	1130	1246	400	460	4-Ø19	335
	132M-4/7.5KW	125	500	3	380	660	85	150	1x740	1040	1141	400	450	4-Ø19	293
	100-65-315	315M-2/132KW	125	600	3	540	820	100	270	2x600	1670	1922	825	885	6-Ø24
315S-2/110KW		125	600	3	540	820	100	270	2x600	1670	1892	825	885	6-Ø24	1338
280M-2/90KW		125	600	3	505	785	100	270	2x540	1550	1767	635	695	6-Ø24	920
280S-2/75KW		125	600	3	505	785	100	270	2x540	1550	1717	635	695	6-Ø24	889
250M-2/55KW		125	600	3	450	730	100	270	1x980	1450	1642	570	630	4-Ø24	752
200L2-2/37KW		125	600	3	425	705	100	270	1x850	1320	1522	480	540	4-Ø24	584
180L-4/22KW		125	530	3	425	705	100	200	1x820	1220	1411	480	540	4-Ø24	503
180M-4/18.5KW		125	530	3	425	705	100	200	1x820	1220	1391	480	540	4-Ø24	488
160L-4/15KW		125	530	3	450	730	100	200	1x780	1180	1331	480	540	4-Ø24	452
160M-4/11KW		125	530	3	450	730	100	200	1x780	1180	1276	480	540	4-Ø24	427
132M-4/7.5KW		125	530	3	450	730	100	200	1x680	1670	1922	480	540	4-Ø24	385
125-80-315		315M-2/132KW	125	600	3	515	830	100	270	2x600	1670	1892	825	885	6-Ø24
	315S-2/110KW	125	600	3	515	830	100	270	2x600	1550	1767	825	885	6-Ø24	1342
	280M-2/90KW	125	600	3	480	795	100	270	2x540	1550	1717	635	695	6-Ø24	925
	280S-2/75KW	125	600	3	480	795	100	270	2x540	1450	1642	635	695	6-Ø24	894
	250M-2/55KW	125	600	3	450	765	100	270	1x980	1350	1552	570	630	4-Ø24	757
	180L-4/22KW	125	530	3	450	765	100	200	1x820	1220	1411	480	540	4-Ø24	509
	180M-4/18.5KW	125	530	3	450	765	100	200	1x820	1220	1391	480	540	4-Ø24	494
	160L-4/15KW	125	530	3	450	765	100	200	1x780	1180	1331	480	540	4-Ø24	458

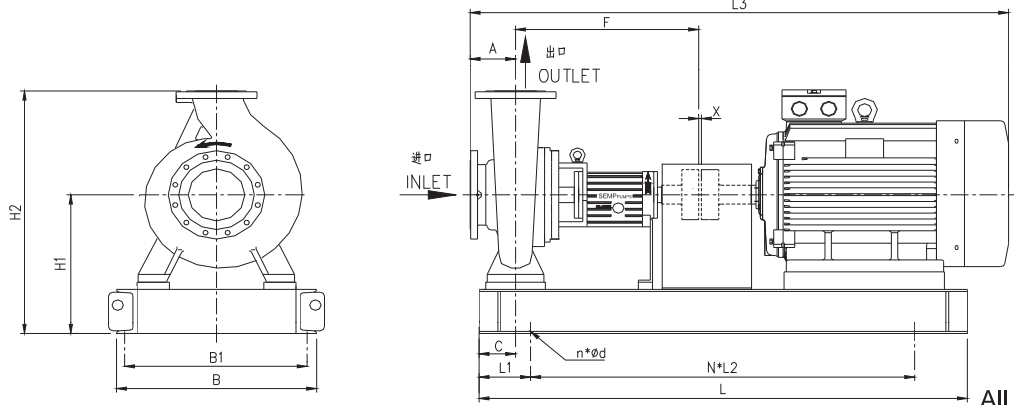
SE END SUCTION PUMPS OUTLINE DIMENSIONS



All dimensions in mm.

PUMP SIZE	MOTOR SIZE	A	F	X	H1	H2	C	L1	N x L2	L	L3	B1	B	n-Ød	Wt. (kg)
125-100-315	355M-2/250KW	140	600	3	555	900	100	270	2x680	1830	2247	821	881	6-Ø24	2160
	315L2-2/200KW	140	600	3	515	860	100	270	2x600	1670	1937	825	885	6-Ø24	1604
	315L1-2/160KW	140	600	3	515	860	100	270	2x600	1670	1937	825	885	6-Ø24	1509
	315M-2/132KW	140	600	3	515	860	100	270	2x600	1670	1937	825	885	6-Ø24	1393
	315S-2/110KW	140	600	3	515	860	100	270	2x600	1670	1907	824	884	6-Ø24	1341
	280M-2/90KW	140	600	3	480	825	100	270	2x540	1550	1782	635	695	6-Ø24	929
	280S-2/75KW	140	600	3	480	825	100	270	2x540	1550	1732	635	695	6-Ø24	897
	225M-4/45KW	140	530	3	450	795	100	200	1x910	1310	1522	515	575	4-Ø24	699
	225S-4/37KW	140	530	3	450	795	100	200	1x910	1310	1492	515	575	4-Ø24	662
	200L-4/30KW	140	530	3	450	795	100	200	1x850	1250	1447	480	540	4-Ø24	585
	180L-4/22KW	140	530	3	450	795	100	200	1x820	1220	1426	480	540	4-Ø24	512
	180M-4/18.5KW	140	530	3	450	795	100	200	1x820	1220	1406	480	540	4-Ø24	497
160L-4/15KW	140	530	3	450	795	100	200	1x780	1180	1346	480	540	4-Ø24	461	
150-125-315	250M-4/55KW	140	530	3	480	835	100	200	1x980	1380	1587	580	640	4-Ø24	831
	225M-4/45KW	140	530	3	480	835	100	200	1x910	1310	1522	580	640	4-Ø24	765
	225S-4/37KW	140	530	3	480	835	100	200	1x910	1310	1492	580	640	4-Ø24	728
	200L-4/30KW	140	530	3	480	835	100	200	1x830	1230	1447	580	640	4-Ø24	652
	180L-4/22KW	140	530	3	480	835	100	200	1x820	1220	1426	580	640	4-Ø24	579
200-150-315	280M-4/90KW	160	625	3	515	915	120	200	2x610	1620	1827	635	695	6-Ø24	1084
	280S-4/75KW	160	625	3	515	915	120	200	2x610	1620	1777	635	695	6-Ø24	990
	250M-4/55KW	160	625	3	515	915	120	200	2x550	1500	1702	630	690	6-Ø24	840
	225M-4/45KW	160	625	3	515	915	120	200	2x515	1430	1637	630	690	6-Ø24	774
	225S-4/37KW	160	625	3	515	915	120	200	2x515	1430	1607	630	690	6-Ø24	737
250-200-315	280M-4/90KW	200	625	3	555	1005	120	200	2x610	1620	1867	635	695	6-Ø24	1128
	280S-4/75KW	200	625	3	555	1005	120	200	2x610	1620	1817	635	695	6-Ø24	1033
	250M-4/55KW	200	625	3	555	1005	120	200	2x550	1500	1742	630	690	6-Ø24	901
	225M-4/45KW	200	625	3	555	1005	120	200	2x515	1430	1677	630	690	6-Ø24	835
	225S-4/37KW	200	625	3	555	1005	120	200	2x515	1430	1647	630	690	6-Ø24	798
	200L-4/30KW	200	625	3	555	1005	120	200	1x970	1370	1602	630	690	4-Ø24	740
300-250-315	280M-4/90KW	250	625	3	600	1150	140	200	2x610	1620	1917	760	820	6-Ø24	1237
	280S-4/75KW	250	625	3	600	1150	140	200	2x610	1620	1867	760	820	6-Ø24	1142
	250M-4/55KW	250	625	3	600	1150	140	200	2x550	1500	1792	760	820	6-Ø24	992
	225M-4/45KW	250	625	3	600	1150	140	200	2x515	1430	1727	760	820	6-Ø24	926
	225S-4/37KW	250	625	3	600	1150	140	200	2x515	1430	1697	760	820	6-Ø24	889
350-300-315	315L1-4/160KW	250	710	3	600	1200	120	200	2x720	1840	2207	835	895	6-Ø24	1818
	315M-4/132KW	250	710	3	600	1200	120	200	2x720	1840	2207	835	895	6-Ø24	1750
	315S-4/110KW	250	710	3	600	1200	120	200	2x720	1840	2177	835	895	6-Ø24	1666
125-80-400	355M-2/250KW	125	685	3	555	910	140	200	2x735	1500	1892	830	890	6-Ø24	2347
	315L2-2/200KW	125	685	3	515	870	120	200	2x700	1880	2130	730	790	6-Ø24	1937
	315L1-2/160KW	125	685	3	515	870	120	200	2x700	1880	2130	730	790	6-Ø24	1842
	315M-2/132KW	125	685	3	515	870	120	200	2x700	1880	2130	730	790	6-Ø24	1747
	225M-4/45KW	125	530	3	480	835	100	200	1x910	1310	1507	515	575	4-Ø24	731
	225S-4/37KW	125	530	3	480	835	100	200	1x910	1310	1477	515	575	4-Ø24	694

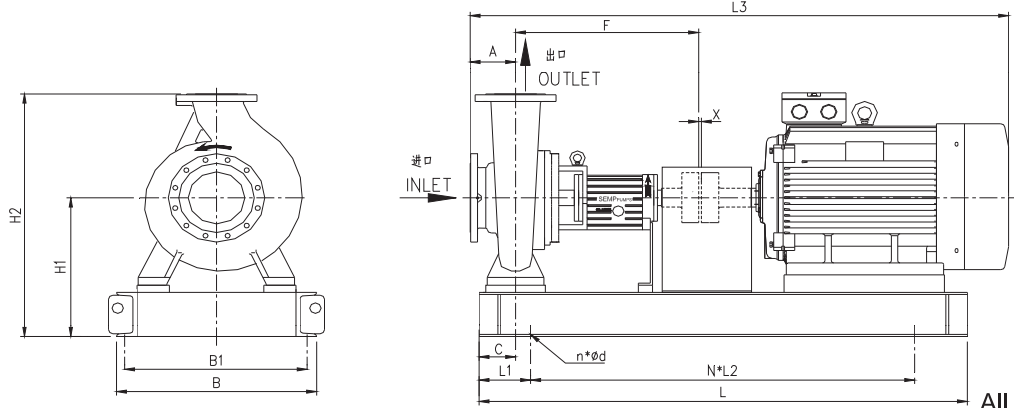
SE END SUCTION PUMPS OUTLINE DIMENSIONS



All dimensions in mm.

PUMP SIZE	MOTOR SIZE	A	F	X	H1	H2	C	L1	N×L2	L	L3	B1	B	n-Ød	Wt. (kg)
	200L-4/30KW	125	530	3	480	835	100	200	1x850	1250	1432	515	575	4-Ø24	636
	180L-4/22KW	125	530	3	480	835	100	200	1x820	1220	1411	515	575	4-Ø24	563
	180M-4/18.5KW	125	530	3	480	835	100	200	1x820	1220	1391	515	575	4-Ø24	549
	160L-4/15KW	125	530	3	480	835	100	200	1x780	1180	1331	515	575	4-Ø24	513
	160M-4/11KW	125	530	3	480	835	100	200	1x780	1180	1276	515	575	4-Ø24	492
125-100-400	355L1-2/280KW	140	685	3	555	930	120	240	2x760	1960	2265	830	890	6-Ø24	2621
	355M-2/250KW	140	685	3	555	930	120	240	2x760	1960	2265	830	890	6-Ø24	2431
	315L2-2/200KW	140	685	3	515	890	120	240	2x725	1960	2045	830	890	6-Ø24	2021
	315L1-2/160KW	140	685	3	515	890	120	240	2x725	1960	2045	830	890	6-Ø24	1905
	315M-2/132KW	140	685	3	515	890	120	240	2x725	1960	2045	830	890	6-Ø24	1821
	250M-4/55KW	140	530	3	480	855	100	200	1x980	1380	1587	580	640	4-Ø24	832
	225M-4/45KW	140	530	3	480	855	100	200	1x910	1310	1522	580	640	4-Ø24	765
	225S-4/37KW	140	530	3	480	855	100	200	1x910	1310	1492	580	640	4-Ø24	729
	200L-4/30KW	140	530	3	480	855	100	200	1x830	1230	1447	580	640	4-Ø24	651
	180L-4/22KW	140	530	3	480	855	100	200	1x820	1220	1426	580	640	4-Ø24	580
	180M-4/18.5KW	140	530	3	480	855	100	200	1x820	1220	1406	580	640	4-Ø24	565
160L-4/15KW	140	530	3	480	855	100	200	1x780	1180	1331	515	575	4-Ø24	530	
150-125-400	315S-4/110KW	140	530	3	515	915	100	200	2x600	1600	1947	825	885	6-Ø24	1421
	280M-4/90KW	140	530	3	515	915	100	200	2x540	1480	1712	635	695	6-Ø24	1055
	280S-4/75KW	140	530	3	515	915	100	200	2x540	1480	1662	635	695	6-Ø24	960
	250M-4/55KW	140	530	3	515	915	100	200	1x980	1380	1587	580	640	4-Ø24	829
	225M-4/45KW	140	530	3	515	915	100	200	1x910	1310	1522	580	640	4-Ø24	762
	225S-4/37KW	140	530	3	515	915	100	200	1x910	1310	1492	580	640	4-Ø24	726
200-150-400	315M-4/132KW	160	625	3	515	965	120	200	2x675	1750	2092	825	885	6-Ø24	1572
	315S-4/110KW	160	625	3	515	965	120	200	2x675	1750	2062	825	885	6-Ø24	1488
	280M-4/90KW	160	625	3	515	965	120	200	2x610	1620	1827	635	695	6-Ø24	1137
	280S-4/75KW	160	625	3	515	965	120	200	2x610	1620	1777	635	695	6-Ø24	1042
	250M-4/55KW	160	625	3	515	965	120	200	2x550	1500	1702	630	690	6-Ø24	900
250-200-400	315L1-4/160KW	180	625	3	555	1055	120	200	2x675	1750	2112	825	885	6-Ø24	1708
	315M-4/132KW	180	625	3	555	1055	120	200	2x675	1750	2112	825	885	6-Ø24	1645
	315S-4/110KW	180	625	3	555	1055	120	200	2x675	1750	2082	825	885	6-Ø24	1560
	280M-4/90KW	180	625	3	555	1055	120	200	2x610	1620	1847	635	695	6-Ø24	1209
	280S-4/75KW	180	625	3	555	1055	120	200	2x610	1620	1797	635	695	6-Ø24	1114
	250M-4/55KW	180	625	3	555	1055	120	200	2x550	1500	1722	630	690	6-Ø24	965
300-250-400	315L1-4/160KW	200	710	3	575	1125	140	200	2x720	1840	2207	835	895	6-Ø24	1823
	315M-4/132KW	200	710	3	575	1125	140	200	2x720	1840	2207	835	895	6-Ø24	1760
	315S-4/110KW	200	710	3	575	1125	140	200	2x720	1840	2177	835	895	6-Ø24	1676
	280M-4/90KW	200	710	3	575	1125	140	200	2x650	1700	1942	825	885	6-Ø24	1322
	280S-4/75KW	200	710	3	575	1125	140	200	2x650	1700	1892	825	885	6-Ø24	1227
350-300-400	355M-4/250KW	240	710	3	650	1300	170	200	2x800	2000	2437	975	1035	6-Ø24	1412
	315L2-4/200KW	240	710	3	650	1300	170	200	2x720	1840	2247	835	895	6-Ø24	1991
	315L1-4/160KW	240	710	3	650	1300	170	200	2x720	1840	2247	835	895	6-Ø24	1886
	315M-4/132KW	240	710	3	650	1300	170	200	2x720	1840	2247	835	895	6-Ø24	1823
	315S-4/110KW	240	710	3	650	1300	170	200	2x700	1840	2217	835	895	6-Ø24	1739
	280M-4/9	40	710	3	650	1300	170	200	2x650	1700	1982	825	885	6-Ø24	1385

SE END SUCTION PUMPS OUTLINE DIMENSIONS



All dimensions in mm.

PUMP SIZE	MOTOR SIZE	A	F	X	H1	H2	C	L1	N*L2	L	L3	B1	B	n-Ød	Wt. (kg)
125-100-500	280M-4/90KW	160	625	3	555	1000	120	200	2x610	1620	1847	635	695	6-Ø24	1123
	280S-4/75KW	160	625	3	555	1000	120	200	2x610	1620	1797	635	695	6-Ø24	1028
	250M-4/55KW	160	625	3	555	1000	120	200	2x550	1500	1722	630	690	6-Ø24	879
150-125-500	315M-4/132KW	160	625	3	555	1000	120	200	2x675	1750	2112	825	885	6-Ø24	1588
	315S-4/110KW	160	625	3	555	1000	120	200	2x675	1750	2082	825	885	6-Ø24	1504
	280M-4/90KW	160	625	3	555	1000	120	200	2x610	1620	1847	635	695	6-Ø24	1163
200-150-500	280S-4/75KW	160	625	3	555	1000	120	200	2x610	1620	1797	635	695	6-Ø24	1068
	315L2-4/200KW	180	625	3	575	1075	120	200	2x675	1750	2112	825	885	6-Ø24	1827
	315L1-4/160KW	180	625	3	575	1075	120	200	2x675	1750	2112	825	885	6-Ø24	1721
	315M-4/132KW	180	625	3	575	1075	120	200	2x675	1750	2112	825	885	6-Ø24	1658
	315S-4/110KW	180	625	3	575	1075	120	200	2x675	1750	2082	825	885	6-Ø24	1574
	280M-4/90KW	180	625	3	575	1075	120	200	2x610	1620	1847	635	695	6-Ø24	1223
	280S-4/75KW	180	625	3	575	1075	120	200	2x610	1620	1797	635	695	6-Ø24	1128
250-200-500	250M-4/55KW	180	625	3	575	1075	120	200	2x550	1500	1722	630	690	6-Ø24	979
	355M-4/250KW	200	710	3	600	1150	120	200	2x755	1910	2437	830	890	6-Ø24	2509
	315L2-4/200KW	200	710	3	600	1150	120	200	2x720	1840	2207	835	895	6-Ø24	1923
	315L1-4/160KW	200	710	3	600	1150	120	200	2x720	1840	2207	835	895	6-Ø24	1818
	315M-4/132KW	200	710	3	600	1150	120	200	2x720	1840	2207	835	895	6-Ø24	1750
	315S-4/110KW	200	710	3	600	1150	120	200	2x720	1840	2177	835	895	6-Ø24	1666
300-250-500	280M-4/90KW	200	710	3	600	1150	120	200	2x645	1690	1942	825	885	6-Ø24	1319
	280S-4/75KW	200	710	3	600	1150	120	200	2x645	1690	1892	825	885	6-Ø24	1224
	355L-4/315KW	200	710	3	625	1245	170	200	2x800	2000	2437	975	1035	6-Ø24	2804
	355M-4/250KW	200	710	3	625	1245	170	200	2x800	2000	2437	975	1035	6-Ø24	2646
	315L2-4/200KW	200	710	3	625	1245	140	200	2x720	1840	2207	835	895	6-Ø24	2058
	315L1-4/160KW	200	710	3	625	1245	140	200	2x720	1840	2207	835	895	6-Ø24	1953
	315M-4/132KW	200	710	3	625	1245	140	200	2x720	1840	2207	835	895	6-Ø24	1890
350-300-500	315S-4/110KW	200	710	3	625	1245	140	200	2x720	1840	2177	835	895	6-Ø24	1806
	280M-4/90KW	200	710	3	625	1245	140	200	2x650	1700	1942	825	885	6-Ø24	1451
	355L-4/315KW	250	710	3	650	1350	170	200	2x800	2000	2487	975	1035	6-Ø24	2881
	355M-4/250KW	250	710	3	650	1350	170	200	2x800	2000	2487	975	1035	6-Ø24	2723
	315L2-4/200KW	250	710	3	650	1350	170	200	2x735	1870	2257	975	1035	6-Ø24	2136
	315L1-4/160KW	250	710	3	650	1350	170	200	2x735	1870	2257	975	1035	6-Ø24	2030
350-300-500	315M-4/132KW	250	710	3	650	1350	170	200	2x735	1870	2257	975	1035	6-Ø24	1967
	315S-4/110KW	250	710	3	650	1350	170	200	2x735	1870	2227	975	1035	6-Ø24	1883